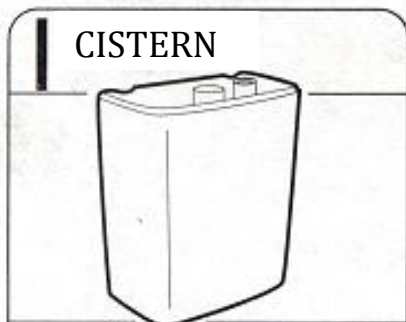


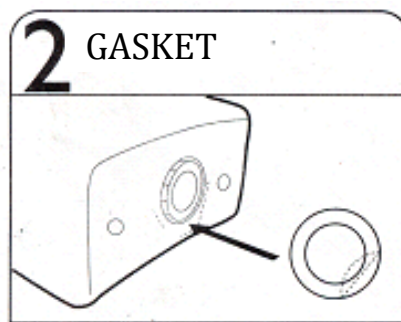
## 24.0002 - Belgravia Cistern inc fittings White

*To assemble and install the product, read through the instructions first and refer to them throughout the installation. Make sure the area in which you are working is free from any objects that may scratch the product, as for some stages the product may be face down. Please ensure the products are laid on a soft surface. No responsibility can be accepted for obvious defects found after installation.*

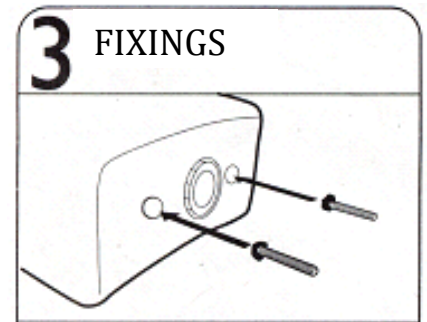
*Please leave this leaflet for the end-user.*



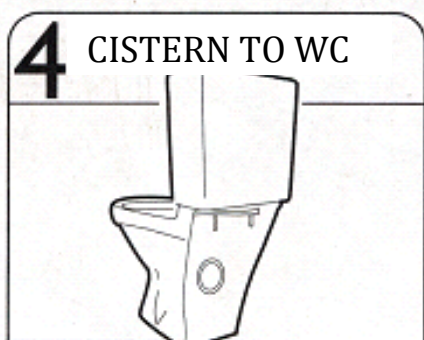
Ensure ALL bags and loose parts are removed from the cistern.



Peel off cistern gasket backing and position onto the underside of the cistern.



Screw the cistern studs into the cistern.



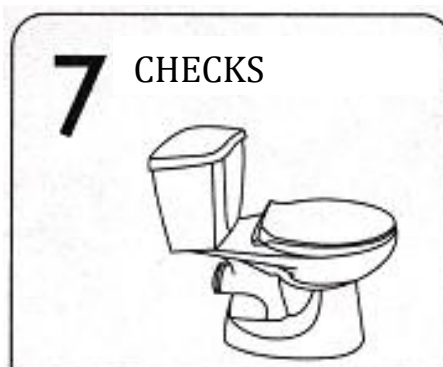
Lift whole cistern assembly onto the pan. Screw the cistern studs into the hole of the pan.



Fit the seat as per the instructions on the box. NB. Re-fit the box for added protection after final WC installation.



Once the whole assembly is in place the unit can be fixed to the floor using the fixings and instructions provided.



It is at this stage that ALL plumbing connections are to be made and that all of these are checked for leaks.

## **Care & Maintenance**

All ceramic products should be cleaned regularly with warm soapy water. They can then be rinsed and if desired, dried and polished with a soft cloth; regular cleaning will prevent the build-up of soluble salts. Some proprietary cleaners can damage the glazed surface and we strongly recommend that the instructions on the bottle of your chosen cleaner are followed. We advise against the practise of leaving strong cleaners in or on the ceramic products overnight since the glazed surface can be damaged.

**Helpline:- 01452 317890**

**Mon -Fri 8.00-5.00**